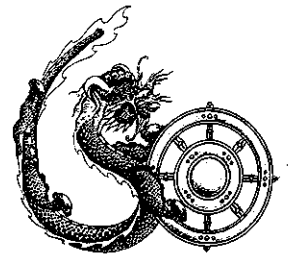




འབྲུག་གློག་མེ་ལས་འཛིན།

Bhutan Power Corporation Limited
Registered Office, Thimphu
Procurement Services Department
Thimphu: Bhutan



BPC/PSD/2018 Materials/2017/13/ 509

August 09, 2017

.....
.....
.....

Subject: Addendum No. 1
Reference: Tender No: BPC/2018 Materials/2017/13

Dear Sir(s)/ Madam(s),

This is with reference to above-mentioned tender whereby PSD, BPC has received the queries from the bidders. The response to the queries and additional information is given as below.

SL#	Query	Response
1	<u>Lot 2- Insulators</u> Item No.2- 66kV Anti-Fog Disc Insulator: 70kN The creepage distance given as 320 mm	The creepage distance has now been changed to 432 mm

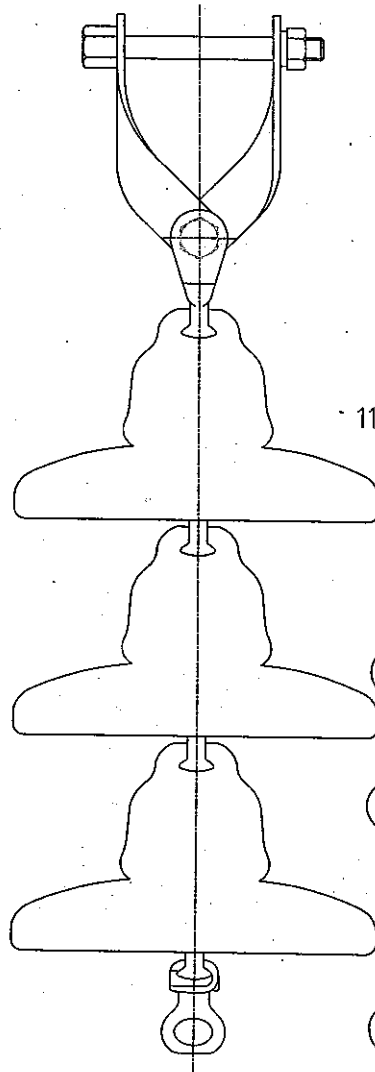
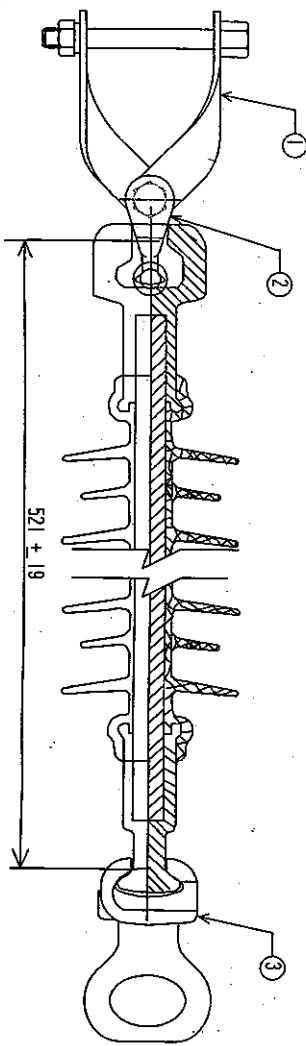
The drawings of 11 kV Hardware Insulator fittings are attached for kind information.

Yours sincerely,

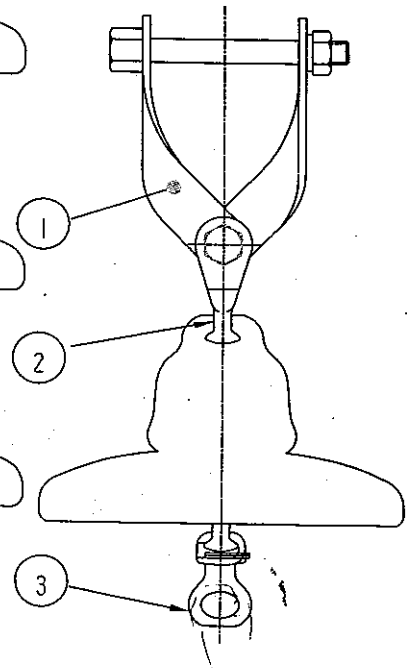

(Drukcha Dorji)
General Manager

SINGLE TENSION STRING

33 kV SINGLE TENSION STRING



11 kV SINGLE TENSION STRING



Notes:

1. All fittings shall be galvanised according to relevant standard

3	SOCKET THIMBLE,	1	ALUMINIUM ALLOY
2	BALL EYE,	1	FORGED STEEL
1	CROSSARM STRAP	1	GALVANISED IRON
ITEM	NAME OF ITEM	QTY	MATERIAL



BHUTAN POWER CORPORATION LIMITED

ENGINEERING DESIGN & CONTRACTS DEPARTMENT

DISTRIBUTION DESIGN & CONSTRUCTION STANDARD

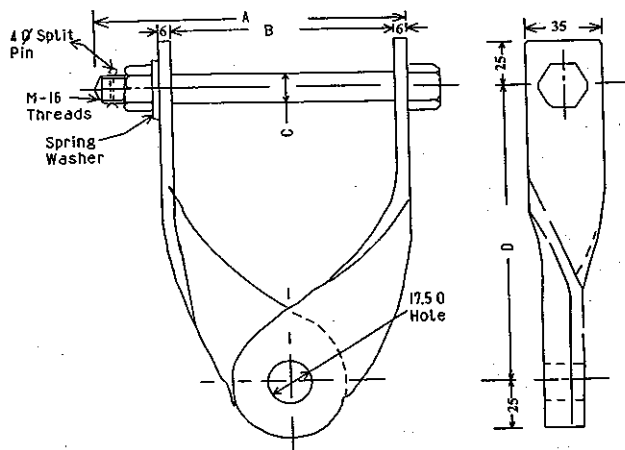
ASSEMBLY FOR DISC INSULATOR ARRANGEMENT

DESIGNATION	NAME	DATE
DRAFTSMAN		
DESIGNER		
DESIGN CHECK		
PROJECT MANAGER		
PROJECT DIRECTOR		

DRAWING NO. BPC-DOCS-2015-46

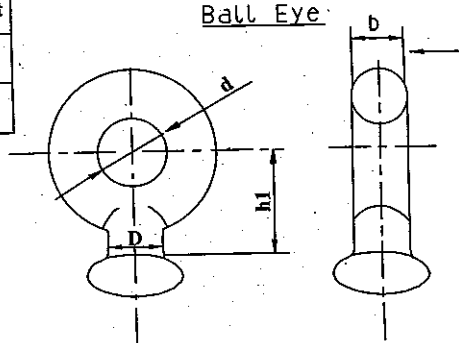
REVISION
2015

CROSS ARM STRAP

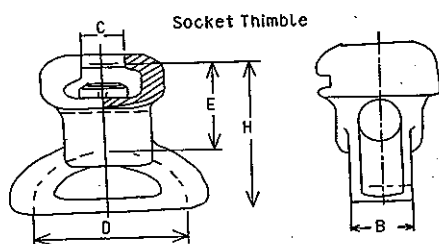


Dimensions (mm)				Rate Failure Load	Weight
A	B	C	D	(kN)	(kg)
145	100	16	140	70	-

Ball Eye




Dimensions (mm)				Rate Failure Load	Weight
D	h1	b	d	(kN)	(kg)
17	50	16	18	70	-



Dimensions (mm)					Rate Failure Load	Weight
B	C	D	E	H	(kN)	(kg)
32	17.6	60	60	95	70	1.20

Notes:

1. All fittings shall be galvanised according to relevant standard

 <p>BHUTAN POWER CORPORATION LIMITED</p>	ENGINEERING DESIGN & CONTRACTS DEPARTMENT	
	DISTRIBUTION DESIGN & CONSTRUCTION STANDARD	
	HARDWARE FITTINGS FOR DISC INSULATOR ARRANGEMENT	
DESIGNATION	NAME	DATE
DRAFTSMAN		
DESIGNER		
DESIGN CHECK		
PROJECT MANAGER		
PROJECT DIRECTOR		
DRAWING NO. BPC-DDCS-2015-47		REVISION 2015