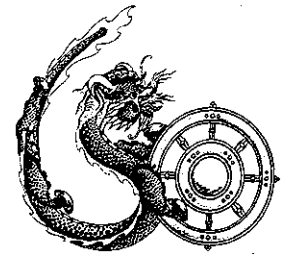




འབྲུག་གློག་མེ་ལས་འཛིན།

Bhutan Power Corporation Limited  
Registered Office, Thimphu  
Procurement Services Department  
Thimphu: Bhutan



BPC/PSD/2018 materials/2017/15 /522

August 14, 2017

.....  
.....  
**Subject:** Addendum No. 1

**Reference:** Tender No: BPC/PSD/2018 materials/2017/15 dated 29<sup>th</sup> July, 2017

Dear Sir(s),

This is with reference to above-mentioned tender whereby PSD, BPC would like to issue the addendum No. 1 as given below.

**1. Lot 4 (Electrical Line Materials)**

The dimension (length) has been revised to 7500 mm from 6500 mm for Earthing Flat for item Pipe Earthing Set.

The revised ~~price~~ drawing is attached as annexure 1.

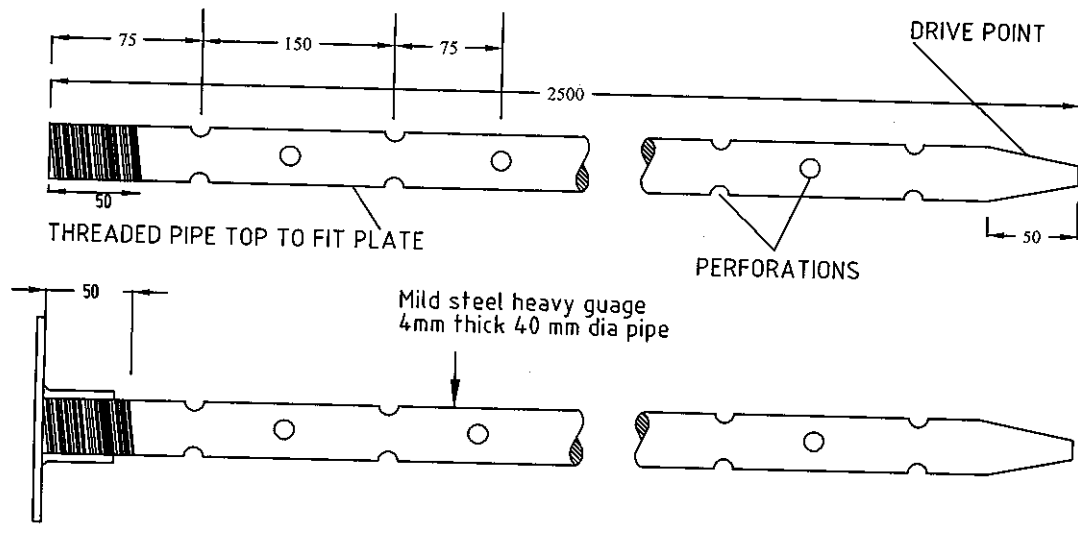
Therefore, the intending bidders are advised to note the changes and, due to the above inclusion and additional information, no time extension shall be granted and the submission date and time shall remain the same.

Please acknowledge the receipt of this Addendum No.1.

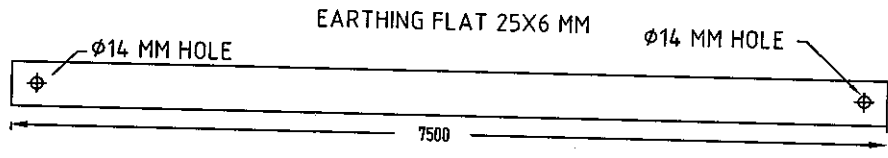
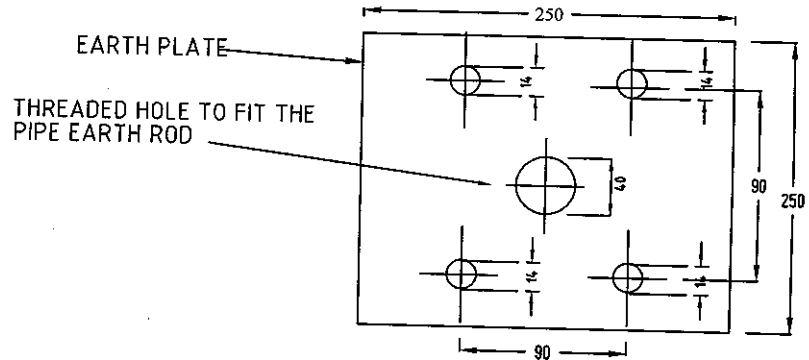
Thanking you,

Yours sincerely,

  
(Drukchu Dorji)  
General Manager



EARTH PLATE 250x250x6



GRADE OF STEEL: BS 1387 OR EQUIVALENT  
 GALVANISED TO: BS 729 OR EQUIVALENT  
 PACKING: EARTHING ROD, LUGS, BOLTS & NUTS  
 & GI FLAT, PLATE PACKED SEPARATELY

NAME OF THE ITEM	QTY	MATERIAL
EARTHING FLAT (6.5 METER)	11	H.D.G STEEL
FLANGED PLATE	1	H.D.G STEEL
SPRING WASHER	4	H.D.G STEEL
HEX NUT M06	4	H.D.G STEEL
HEX BOLT M06X25	4	H.D.G STEEL
EARTHING ROD	1	H.D.G STEEL



BHUTAN POWER CORPORATION LIMITED

ENGINEERING DESIGN & CONTRACTS DEPARTMENT

DISTRIBUTION DESIGN & CONSTRUCTION STANDARD

PIPE EARTHING

DESIGNATION	NAME	DATE
DRAFTSMAN		
DESIGNER		
DESIGN CHECK		
PROJECT MANAGER		
PROJECT DIRECTOR		

DRAWING NO. BPC-DDCS-2015-50

REVISION  
2015