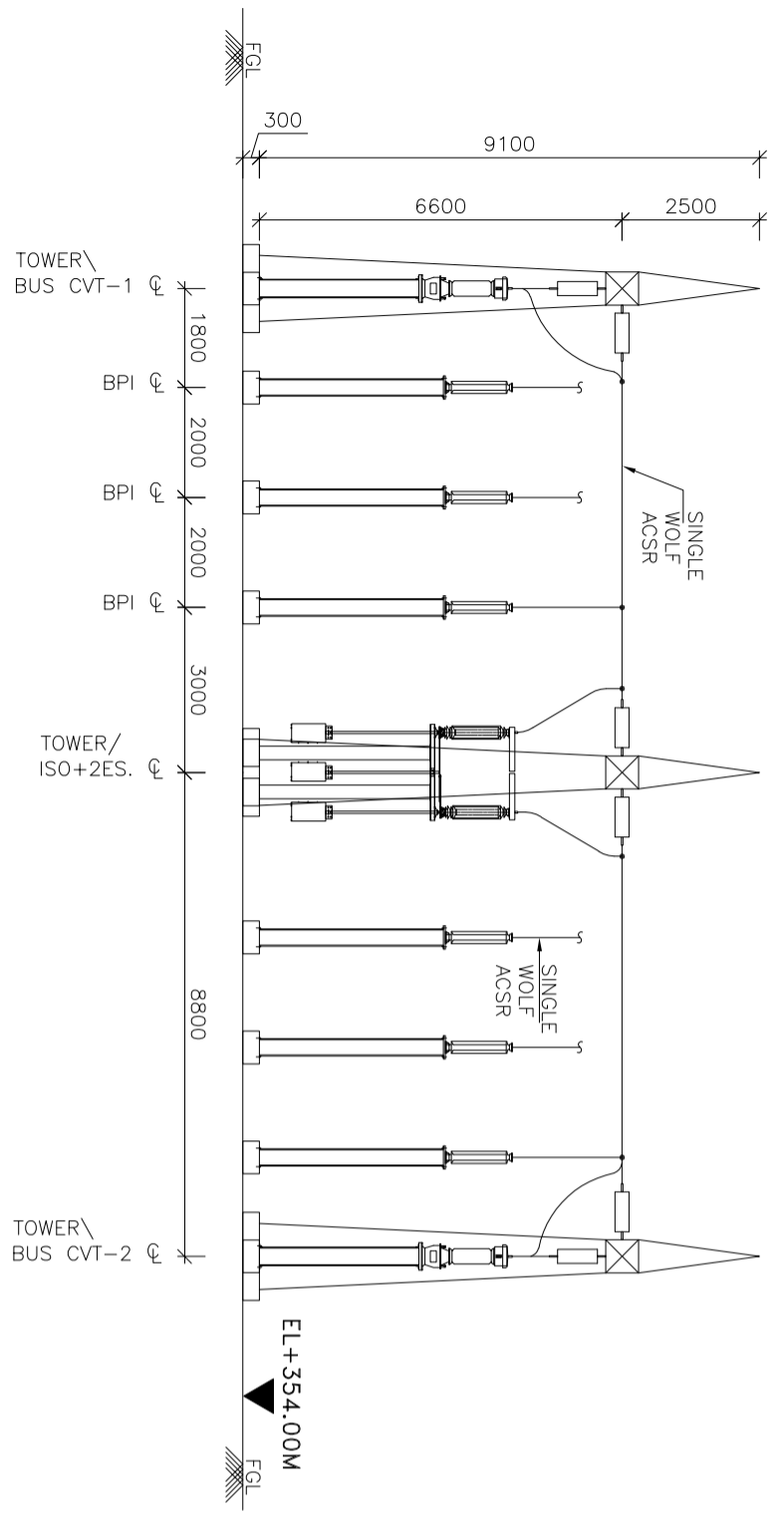


SECTION A-A (66KV LINE BAY & TRANSFORMER BAY)



SECTION B-B (66KV BUS SECTION)

**NOTES:-**

1. ALL DIMENSIONS ARE IN MILLIMETRES.  
\*AS PER IEC 61936-1 RECOMMENDATION MINIMUM DISTANCE BETWEEN GROUND LEVEL TO TRANSMISSION LINE SHOULD BE 6.0m

**REFERENCE DRAWINGS:-**

1. 66/33KV SINGLE LINE DIAGRAM - SPIL/BPCL/PARO/DRG.E/001
2. LAYOUT PLAN - SPIL/BPCL/PARO/DRG.E/003

REV	DATE	DESCRIPTION	BY	CHKD	APPRD

**BHUTAN POWER CORPORATION LTD.**  
TRANSMISSION CONSTRUCTION DEPARTMENT

PROJECT: CONSTRUCTION OF 66/33 KV SUBSTATION  
AT JAMTSHOLING, SP-900

TITLE: SECTION ON LAYOUT PLAN

DESIGNED/DRAWN:

APPROVED:

DATE: FEBRUARY 2021

SCALE: AS SHOWN

DWG. NO: SP/CTD/P12/01/DWG-C/SECTION ON LAYOUT PLAN