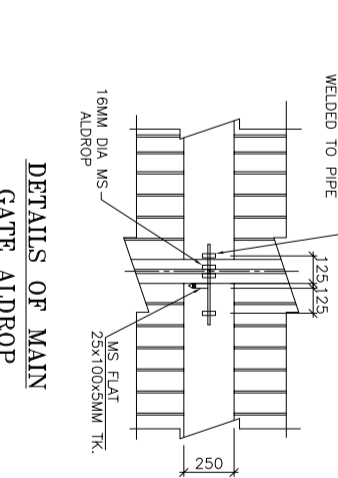
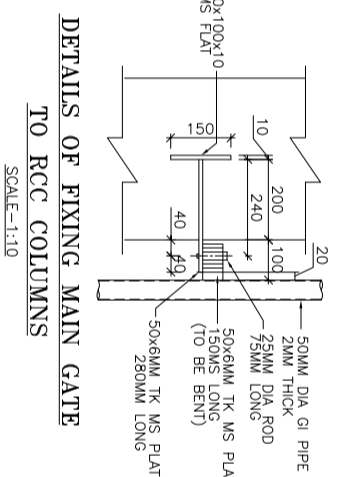
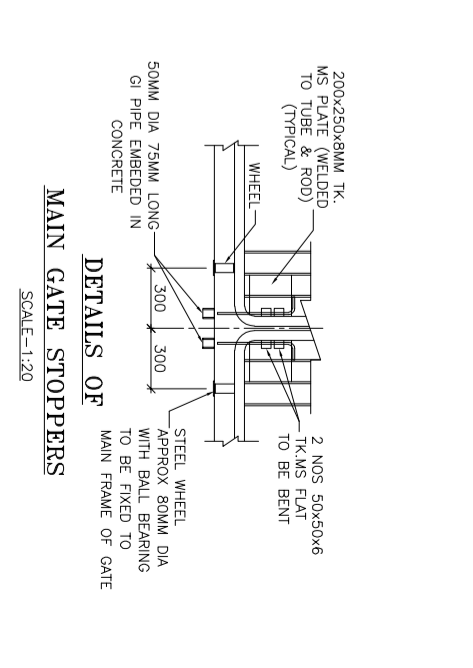
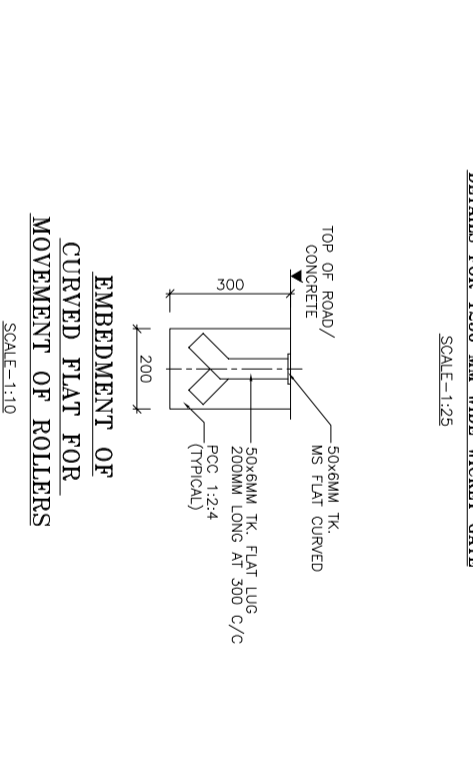
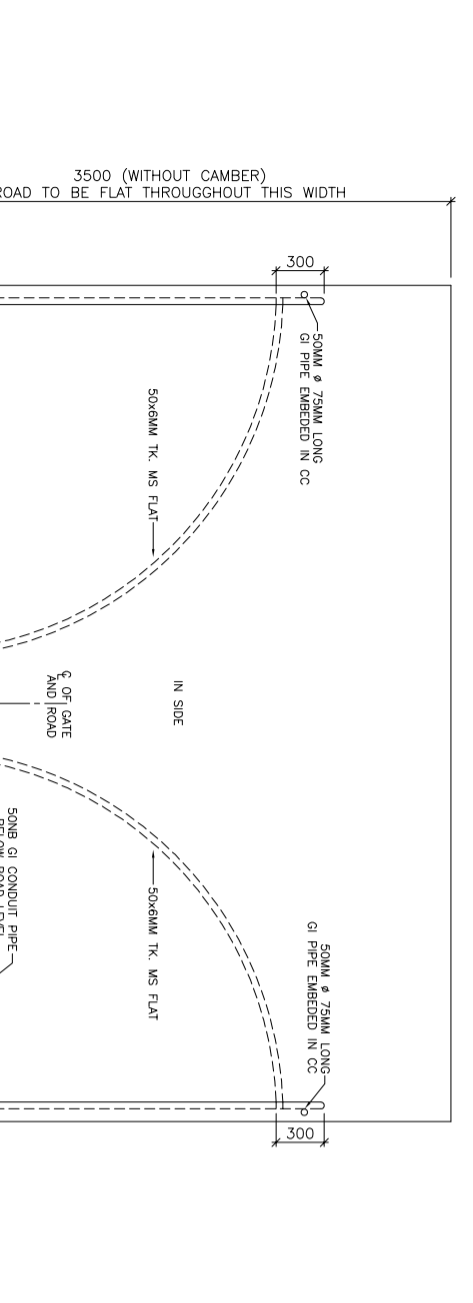
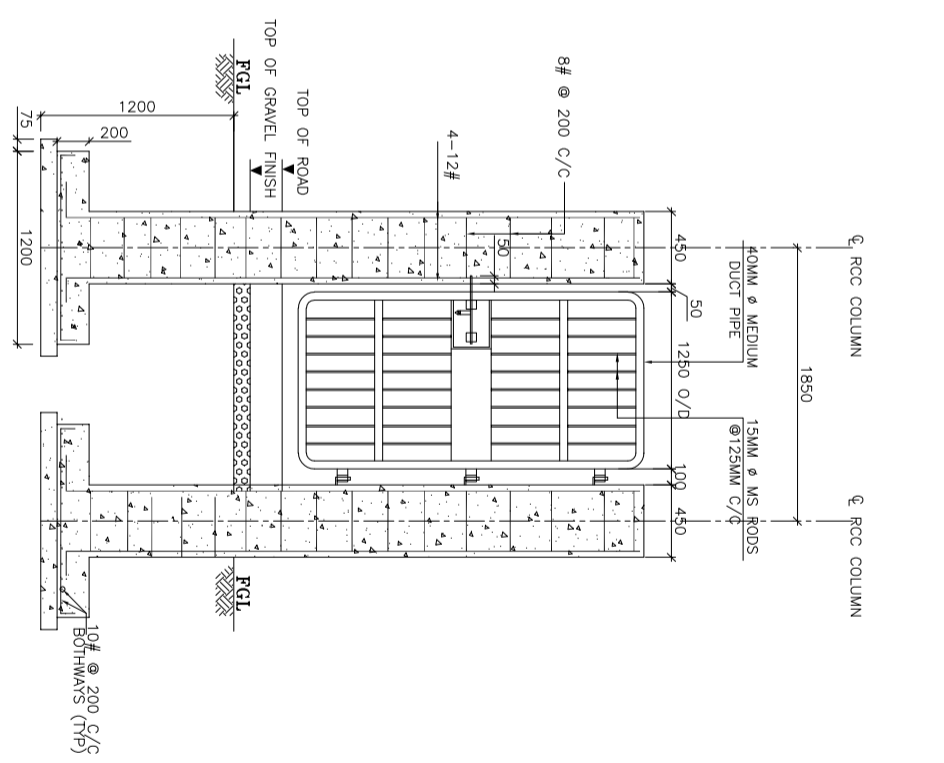
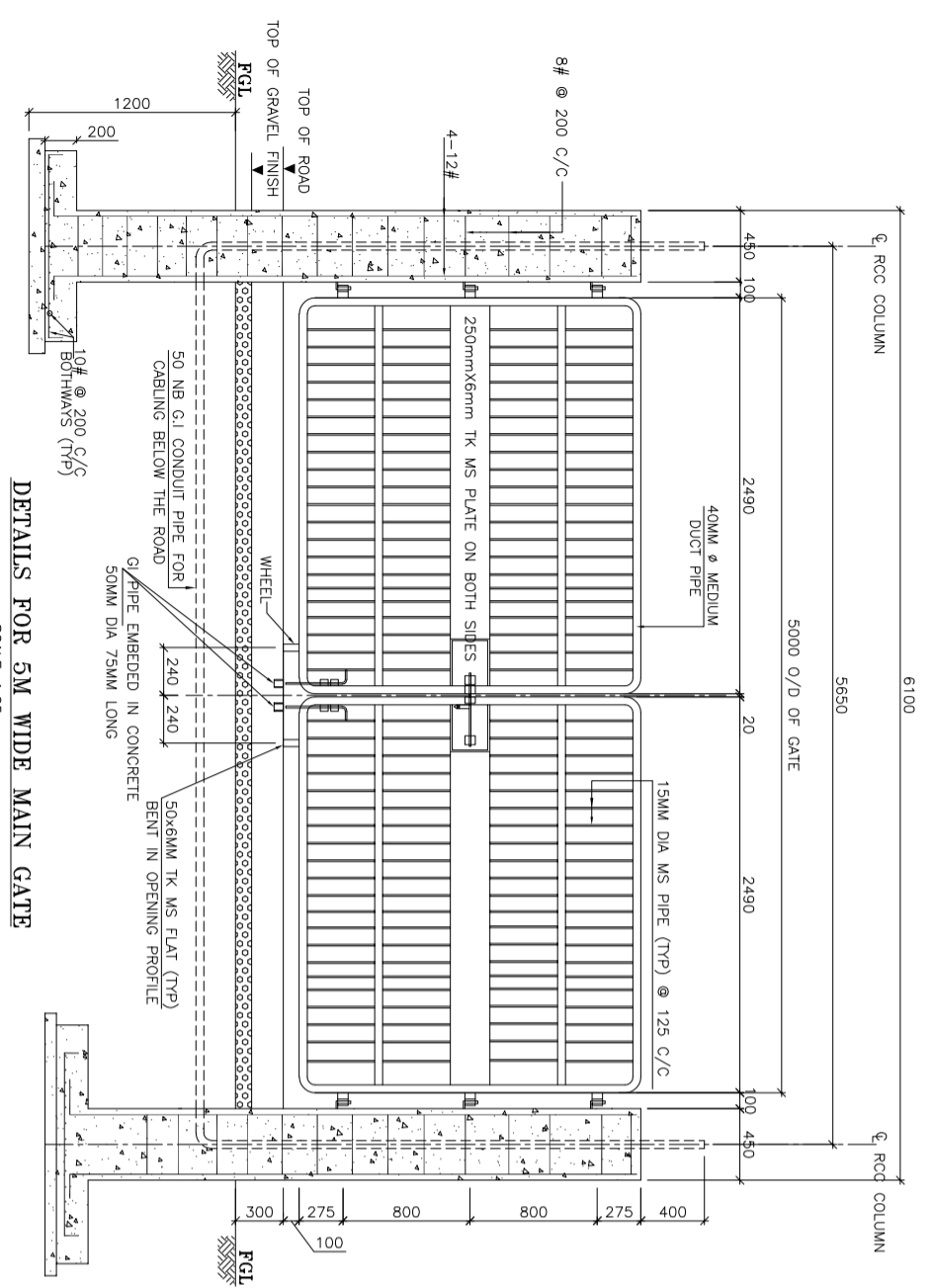


- NOTES:-**
1. ALL DIMENSIONS ARE IN MMS. UNLESS OTHER WISE SPECIFIED.
 2. DO NOT SCALE OUT THIS DRG. FOLLOW ONLY THE WRITTEN DIMENSIONS.
 3. ALL STRUCTURAL STEEL CONFORM TO
 - A) IS 2062 FOR PLATES AND ROLLED SECTIONS.
 - B) IS 1161 FOR MS PIPE.
 4. GATE SHALL BE PAINTED WITH TWO COATS OF SYNTHETIC ENAMEL PAINT OVER ONE COAT OF PRIMER.
 5. OPENING PROFILE DETAIL FOR ROLLER GUIDE SHALL BE CONSTRUCTED BEFORE GATE ERECTION.
 6. WATER PROOF CEMENT PAINT SHALL BE PROVIDED OVER GATE SUPPORTING RCC COLUMN.

LEGEND:-

EL.	ELEVATION
TYP.	TYPICAL
TOC	TOP OF CONCRETE
NGL	NATURAL GROUND LEVEL
TOF	TOP OF FOOTING
BOF	BOTTOM OF FOOTING
THK.	THICK
FGL	FINISHING GROUND LEVEL



REV.	DATE	DESCRIPTION	BY	CHECK	APPROV.

BHUTAN POWER CORPORATION LTD.
TRANSMISSION CONSTRUCTION DEPARTMENT

PROJECT: CONSTRUCTION OF 66/33 KV SUBSTATION
AT JAMTSHOLING, SPSOO

TITLE: SWITCH YARD GATE

DESIGNED/DRAWN: [Signature]
CHECKED/VERIFIED: [Signature]
DATE: FEBRUARY 2021
SCALE: AS SHOWN

APPROVED: [Signature]
DATE: FEBRUARY 2021
SCALE: AS SHOWN

DWG. NO. BPC/TC/PS/2018/DWG-SWITCH YARD GATE