

SEWERAGE & PLUMBING DRAWING

66/33kV SUBSTATION
CONTROL ROOM BUILDING
JAMTSHOLING, SIPS00

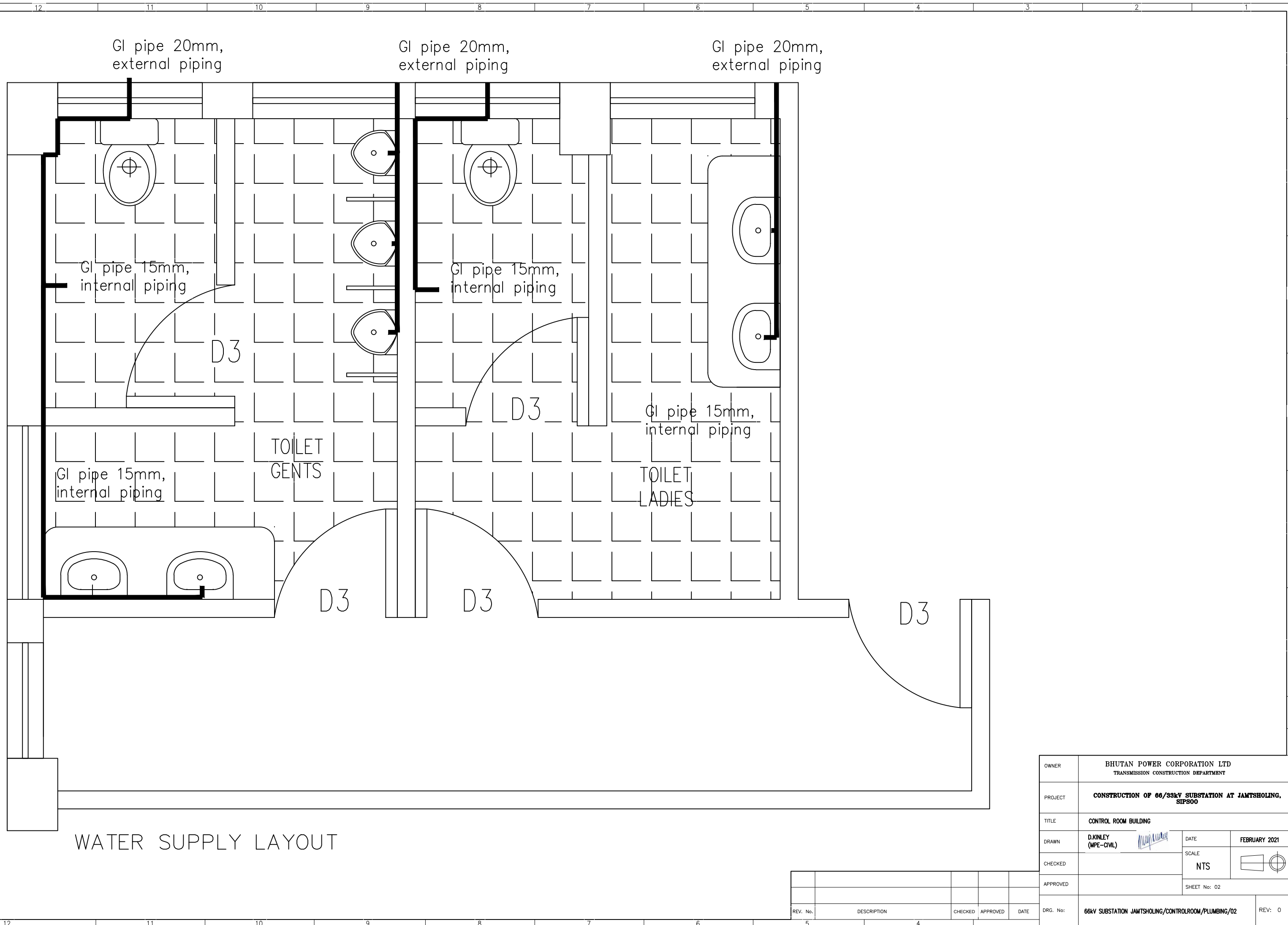
BHUTAN POWER CORPORATION LIMITED

NOTES:

SL #	DESCRIPTION	DIA (MM)	TYPE	SLOPE	REMARKS
1.	SOIL WATER PIPE	110	PVC	1 IN 40	INSIDE & OUTSIDE
		110	HDPE	1 IN 60	BELOW GRADE LEVEL
2.	SOIL WATER PIPE	110	PVC	1 IN 40	THROUGH WALLS
3.	WASTE WATER PIPES	75	PVC	1 IN 120	BELOW GRADE LEVEL
	WASTE WATER PIPE	75	PVC	1 IN 120	BELOW FLOOR SLAB
4.	WASTE WATER PIPE	75	PVC	1 IN 120	THROUGH WALLS
5.	WATER SUPPLY PIPE	32,20,15	GALVANISED MS PIPE	1 IN 120	THROUGH WALLS
6.	MH, IP LOCATION SHALL BE FINALISED AS PER EXTERNAL DRAINAGE LAYOUT DWGS.				
7.	FIXING OF PIPE AND CONNECTION PIPE MAY BE ADJUSTED AS PER SITE CONDITION				
8.	ALL PIPES ARE FIXED WITH NECESSARY FITTINGS AS PER THE SPECIFICATION GIVEN IN THE CONTRACT				
9.	TOILETS SHALL HAVE THE FOLLOWING FITTINGS				
	A) WC (WESTERN TYPE) 390 MM HIGH WITH TOILET PAPER ROLL HOLDER AND ALL FITTINGS OR WC (INDIAN TYPE) ORISSA PATTERN (580 X 440 MM) WITH ALL FITTINGS.				
	B) URINAL (430 X 260 X 350 MM SIZE) WITH ALL FITTINGS.				
	C) WASH BASIN (550 X 400 MM) WITH ALL FITTINGS.				
	D) BATHROOM MIRROR (600 X 450 X 6 MM THICK) HARD BOARD BACKING				
	E) CP BRASS TOWEL RAIL (600 X 20 MM) WITH C.P. BRASS BRACKETS				
	F) SOAP HOLDER AND LIQUID SOAP DISPENSER.				
10.	SOIL, WASTE AND DRAIN PIPES, FOR UNDERGROUND WORKS SHALL BE STONE WARE FOR AREAS NOT SUBJECT TO TRAFFIC LOAD. HEAVY DUTY CAST IRON PIPES SHALL BE USED OTHERWISE.				

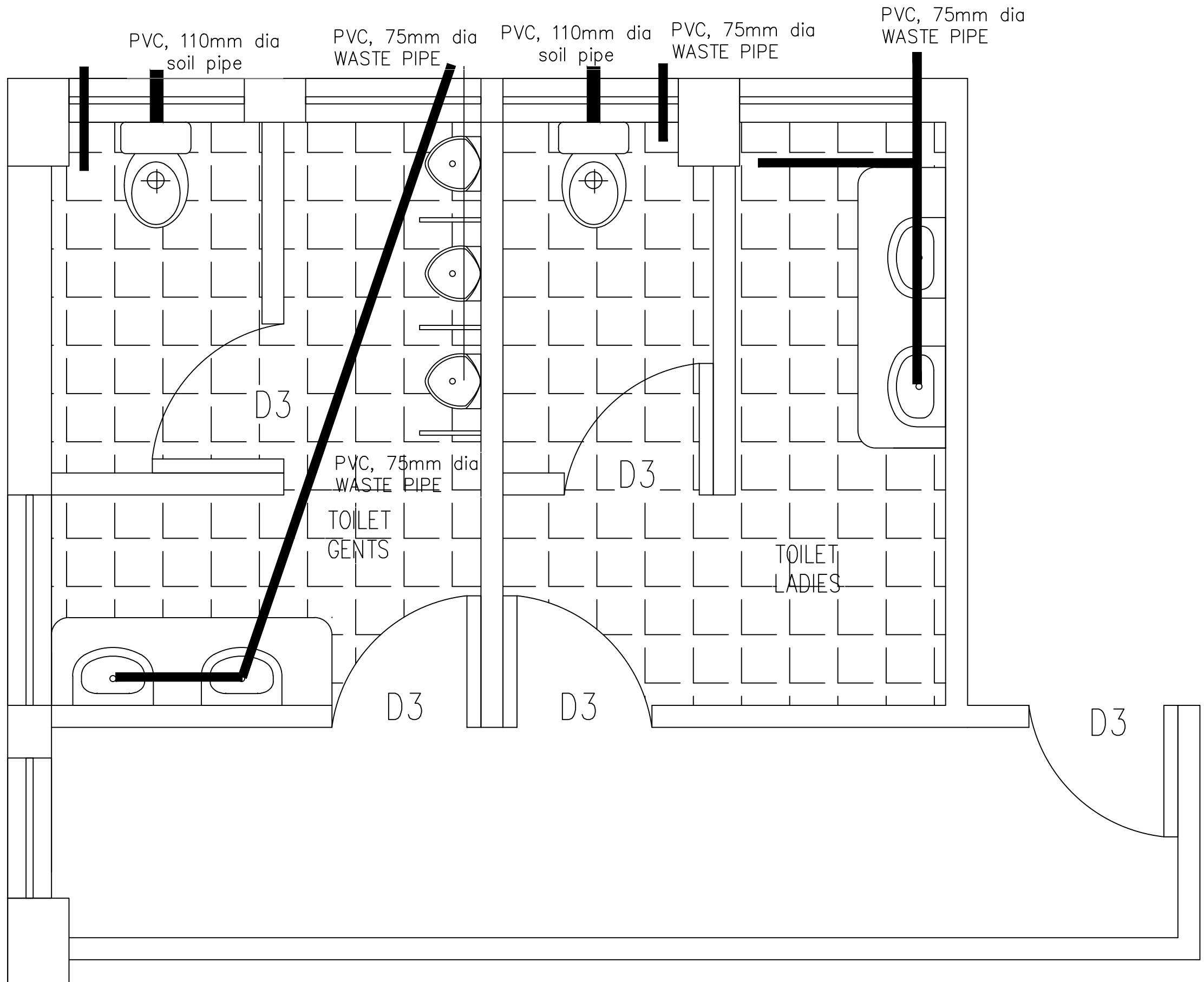
REV. No.	DESCRIPTION	CHECKED	APPROVED	DATE

OWNER	BHUTAN POWER CORPORATION LTD TRANSMISSION CONSTRUCTION DEPARTMENT		
PROJECT	CONSTRUCTION OF 66/33kV SUBSTATION AT JAMTSHOLING, SIPSOO		
TITLE	CONTROL ROOM BUILDING		
DRAWN	D.KINLEY (MPE-CIVIL)	DATE	FEBRUARY 2021
CHECKED		SCALE	NTS
APPROVED		SHEET No: 01	
DRG. No:	66KV SUBSTATION JAMTSHOLING/CONTROLROOM/PLUMBING/01		REV: 0



WATER SUPPLY LAYOUT

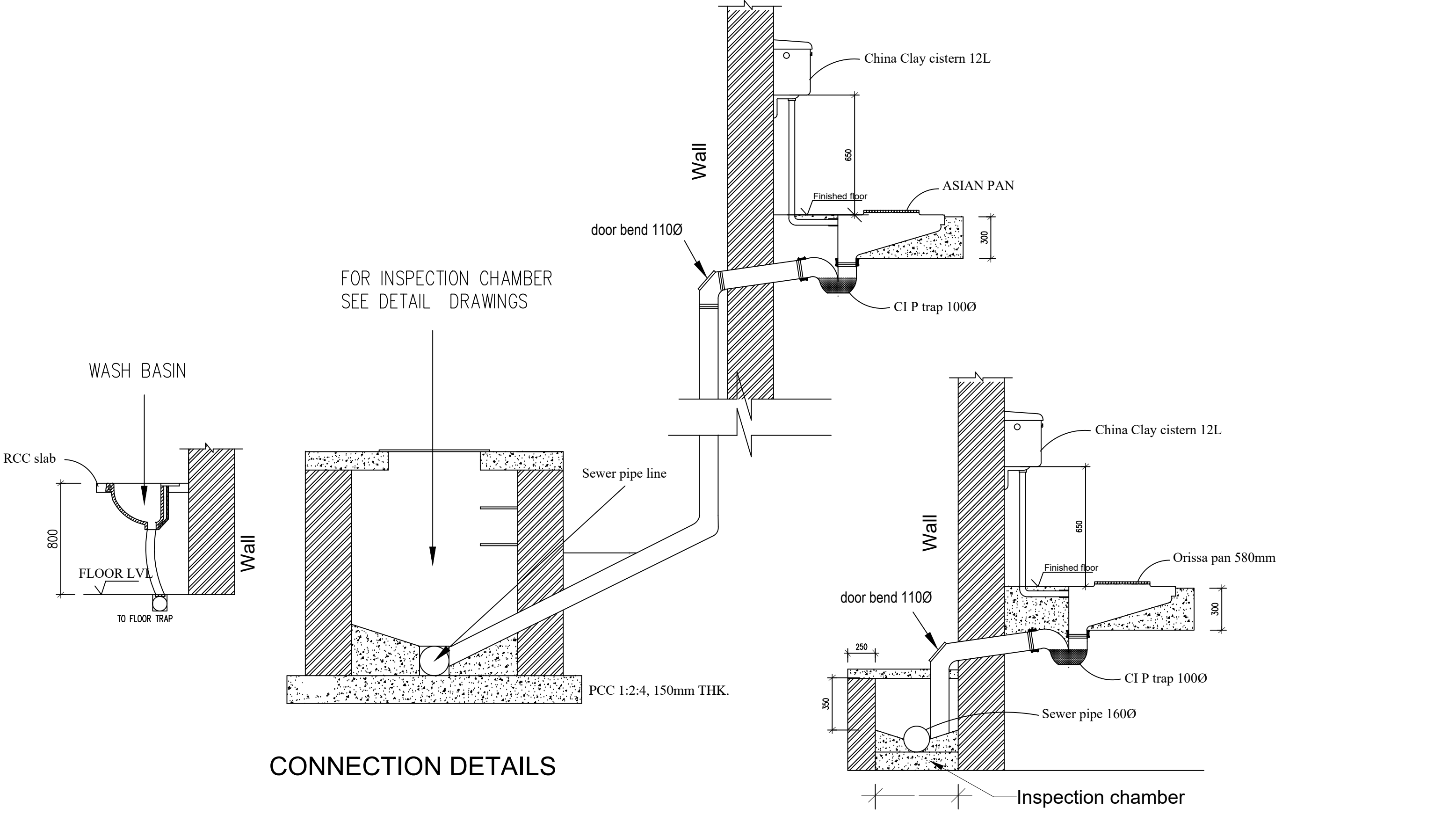
OWNER	BHUTAN POWER CORPORATION LTD TRANSMISSION CONSTRUCTION DEPARTMENT		
PROJECT	CONSTRUCTION OF 66/33kV SUBSTATION AT JAMTSHOLING, SIPSOO		
TITLE	CONTROL ROOM BUILDING		
DRAWN	D.KINLEY (MPE-CIVIL)	DATE	FEBRUARY 2021
CHECKED		SCALE	NTS
APPROVED		SHEET No: 02	
REV. No.	DESCRIPTION	CHECKED	APPROVED
DRG. No:	66KV SUBSTATION JAMTSHOLING/CONTROLROOM/PLUMBING/02	REV:	0



WASTE & SOIL PIPE CONNECTION

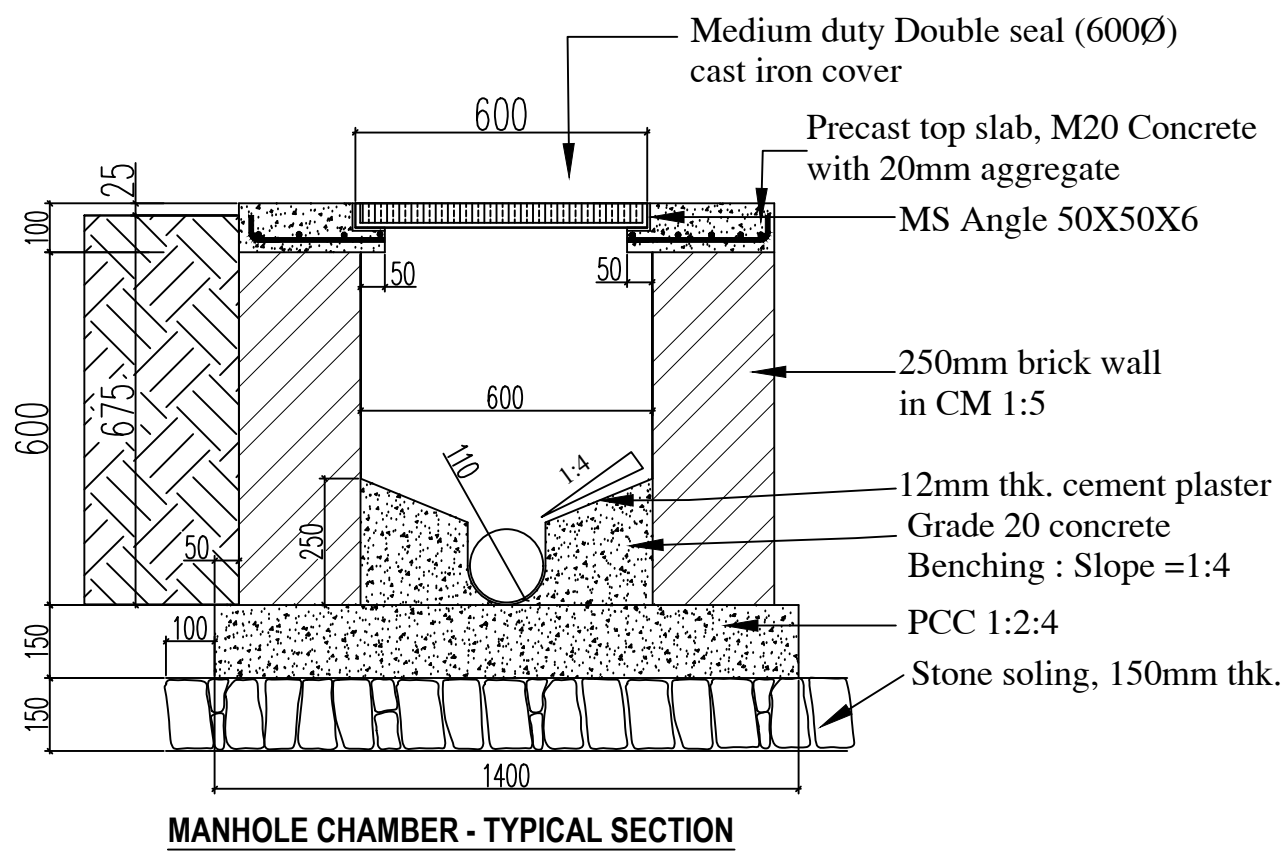
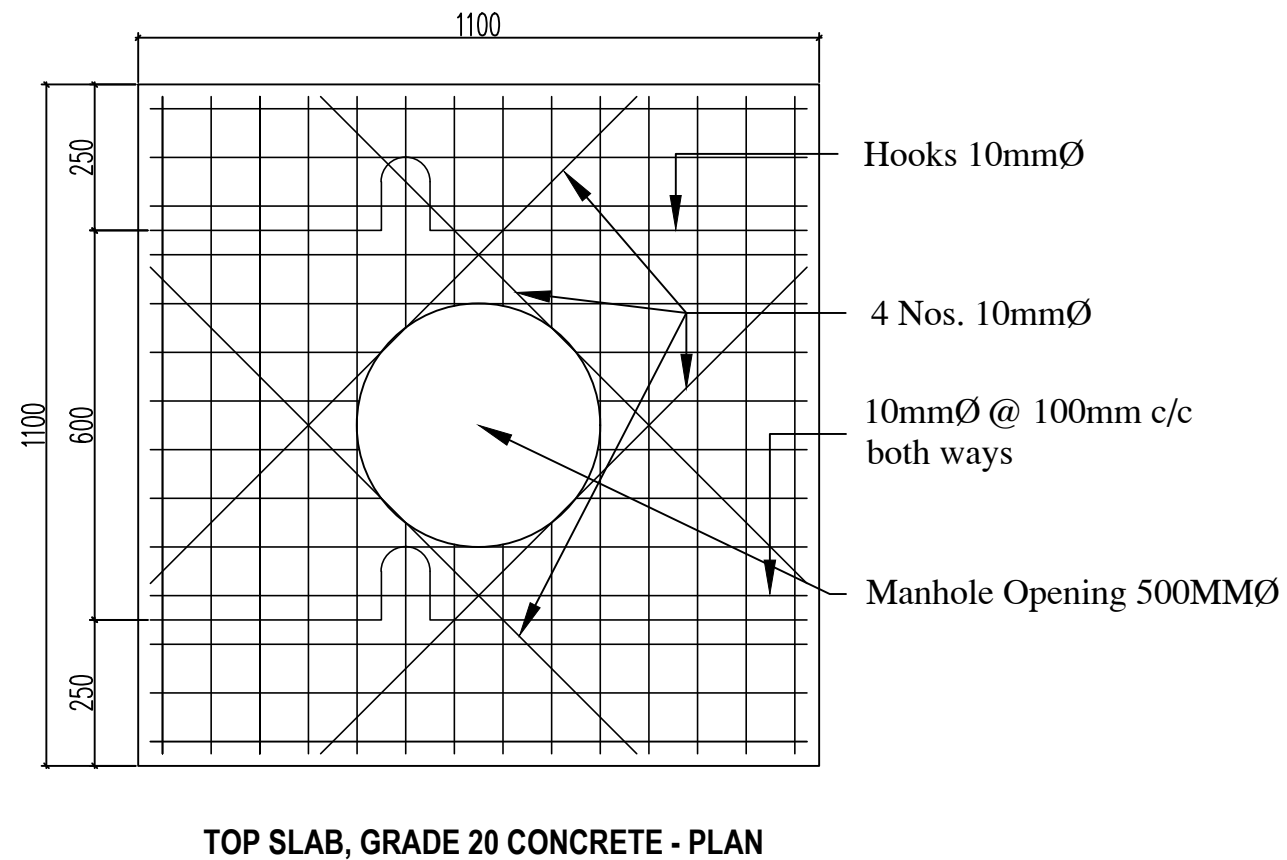
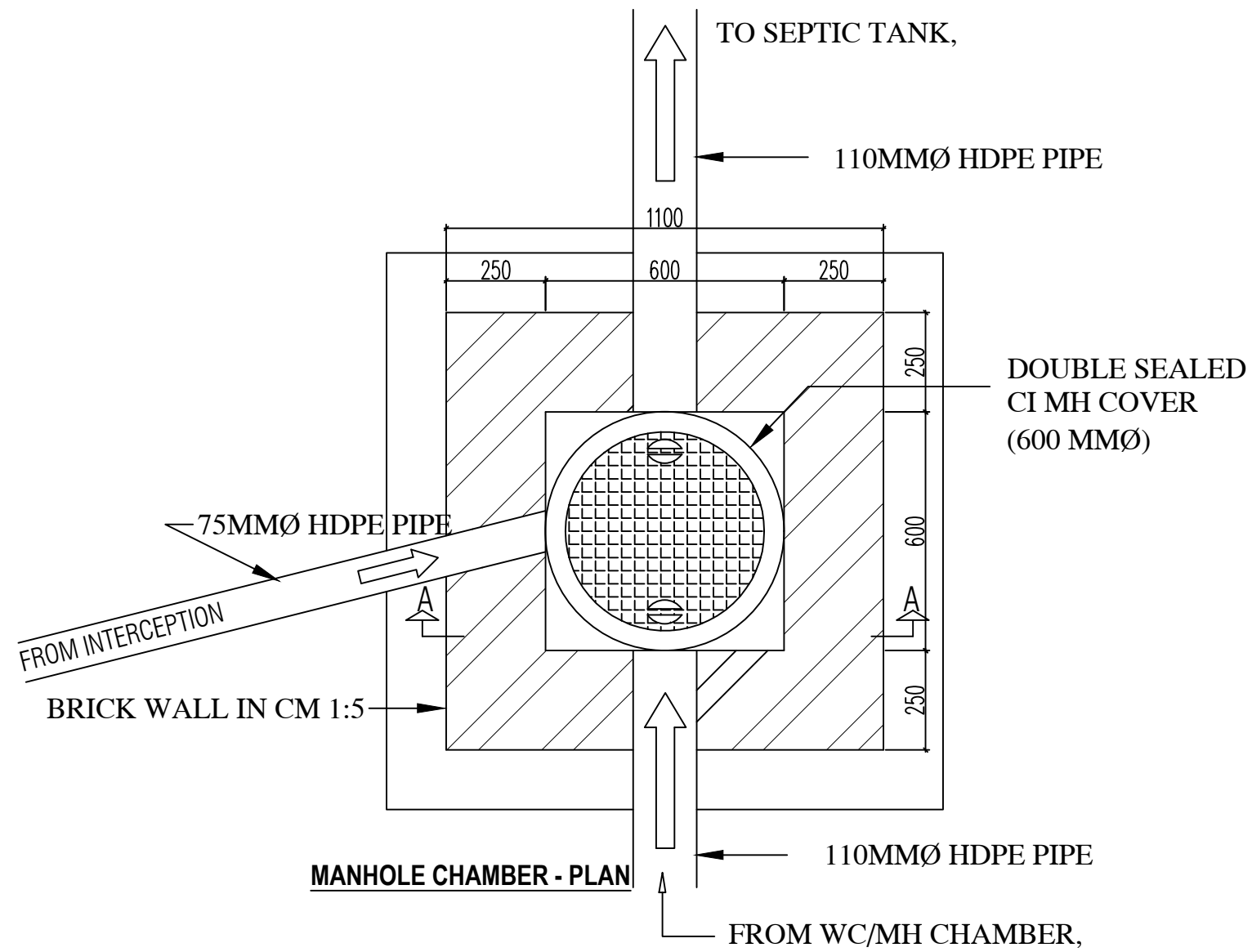
OWNER	BHUTAN POWER CORPORATION LTD TRANSMISSION CONSTRUCTION DEPARTMENT		
PROJECT	CONSTRUCTION OF 66/33kV SUBSTATION AT JAMTSHOLING, SIPSOO		
TITLE	CONTROL ROOM BUILDING		
DRAWN	D.KINLEY (MPE-CIVL)	DATE	FEBRUARY 2021
CHECKED		SCALE	NTS
APPROVED		SHEET No: 03	
REV. No.	DESCRIPTION	CHECKED	APPROVED
DRG. No:	66KV SUBSTATION JAMTSHOLING/CONTROLROOM/PLUMBING/03		REV: 0

REV. No.	DESCRIPTION	CHECKED	APPROVED	DATE



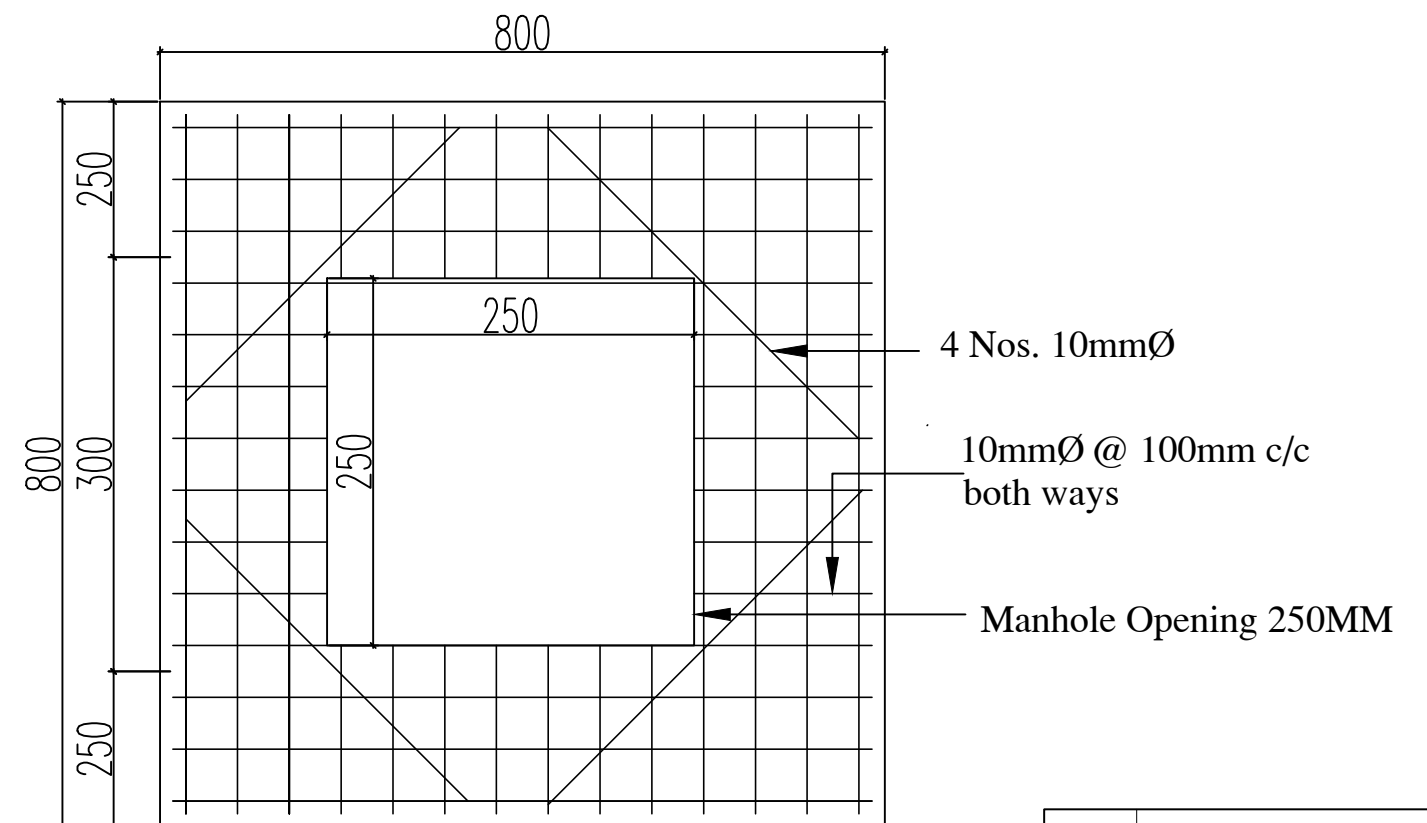
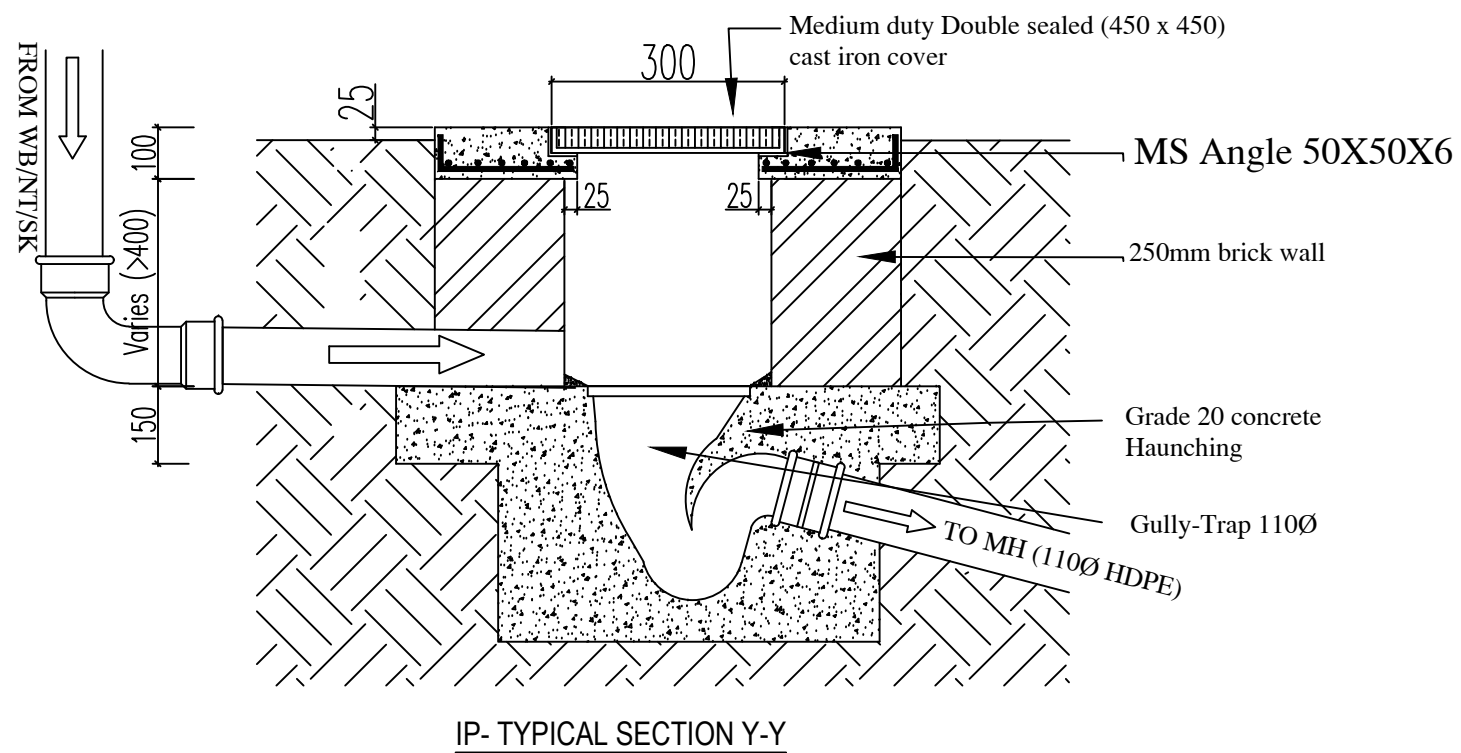
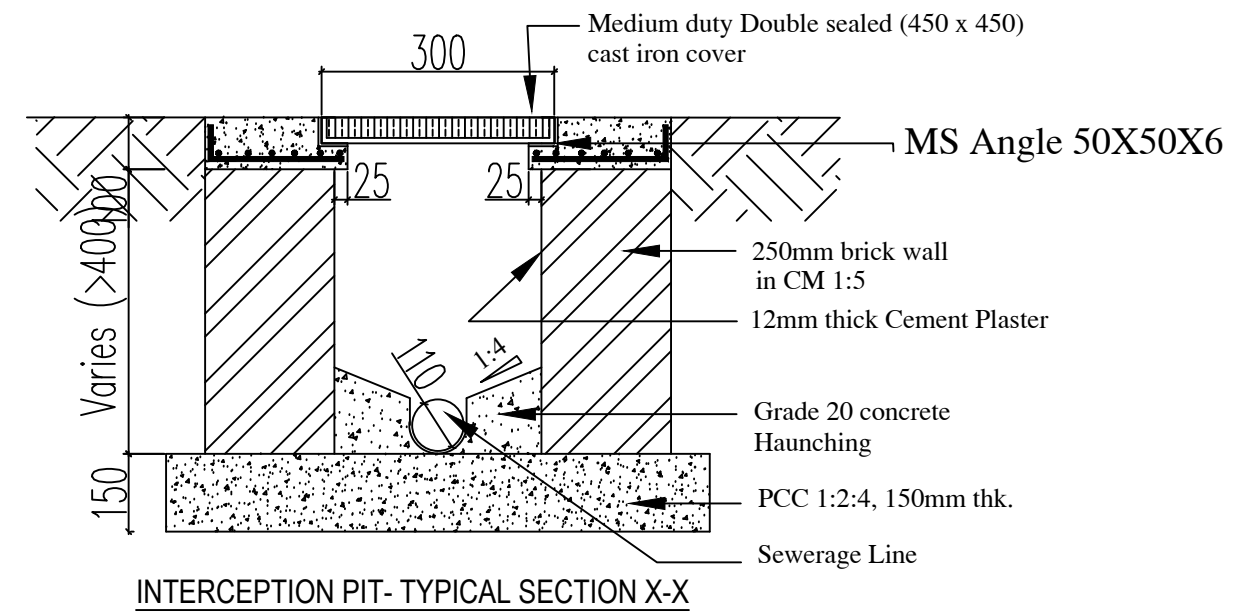
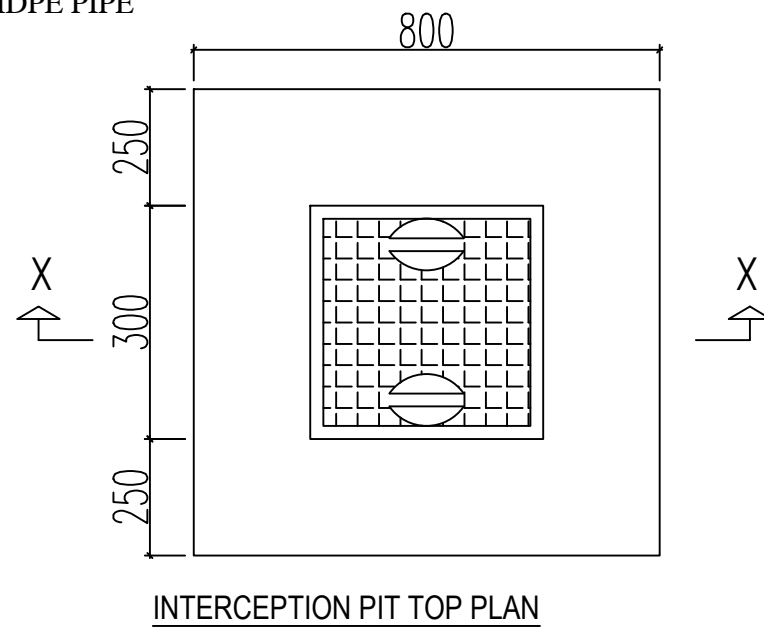
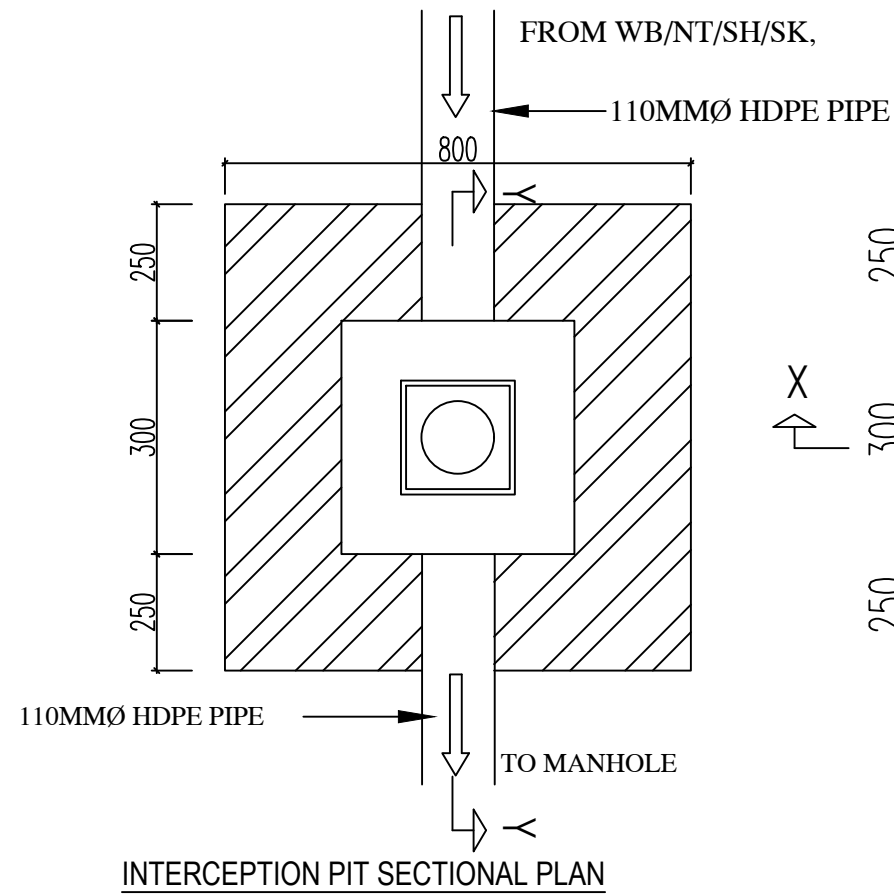
CONNECTION DETAILS

OWNER	BHUTAN POWER CORPORATION LTD TRANSMISSION CONSTRUCTION DEPARTMENT		
PROJECT	CONSTRUCTION OF 66/33kV SUBSTATION AT JAMTSHOLING, SIPSOO		
TITLE	CONTROL ROOM BUILDING		
DRAWN	D.KINLEY (MPE-CIVIL)	DATE	FEBRUARY 2021
CHECKED		SCALE	NTS
APPROVED		SHEET No:	04
REV. No.	DESCRIPTION	CHECKED	APPROVED
DRG. No:	66KV SUBSTATION JAMTSHOLING/CONTROLROOM/PLUMBING/04		REV: 0



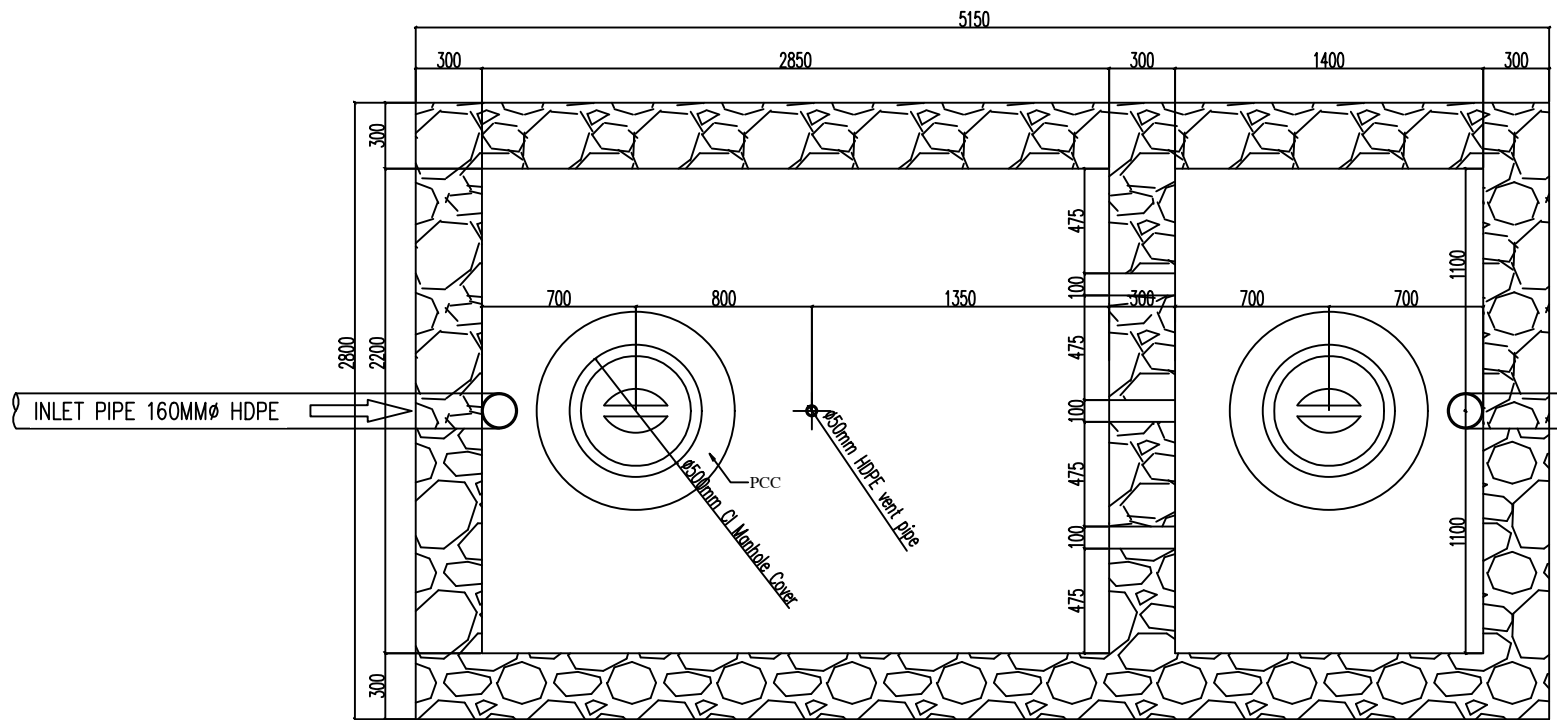
REV. No.	DESCRIPTION	CHECKED	APPROVED	DATE

OWNER	BHUTAN POWER CORPORATION LTD TRANSMISSION CONSTRUCTION DEPARTMENT		
PROJECT	CONSTRUCTION OF 66/33kV SUBSTATION AT JAMTSHOLING, SIPSOO		
TITLE	CONTROL ROOM BUILDING		
DRAWN	D.KINLEY (MPE-CIVIL)	DATE	FEBRUARY 2021
CHECKED		SCALE	NTS
APPROVED		SHEET No: 05	
DRG. No:	66KV SUBSTATION JAMTSHOLING/CONTROLROOM/PLUMBING/05		REV: 0

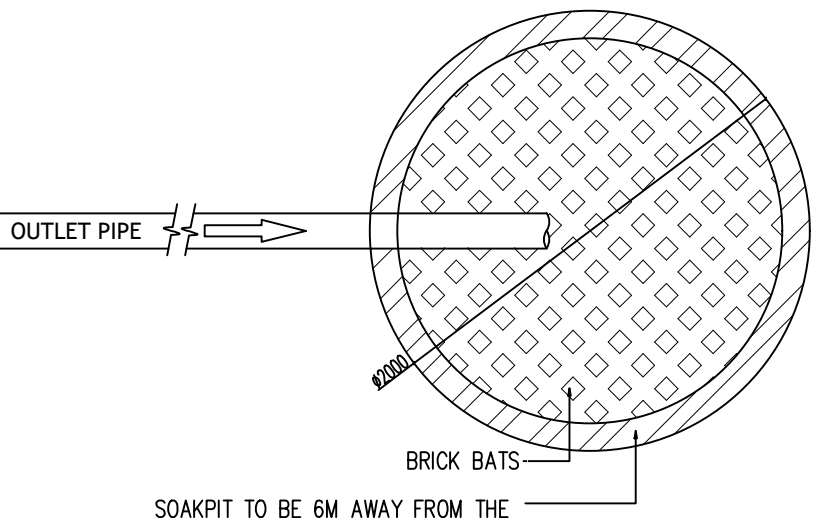


OWNER	BHUTAN POWER CORPORATION LTD TRANSMISSION CONSTRUCTION DEPARTMENT		
PROJECT	CONSTRUCTION OF 66/33kV SUBSTATION AT JAMTSHOLING, SIPS00		
TITLE	CONTROL ROOM BUILDING		
DRAWN	D.KINLEY (MPE-CIVIL)	DATE	FEBRUARY 2021
CHECKED		SCALE	NTS
APPROVED		SHEET No: 06	
REV. No.	DESCRIPTION	CHECKED	APPROVED
DRG. No:	66KV SUBSTATION JAMTSHOLING/CONTROLROOM/PLUMBING/06	REV:	0

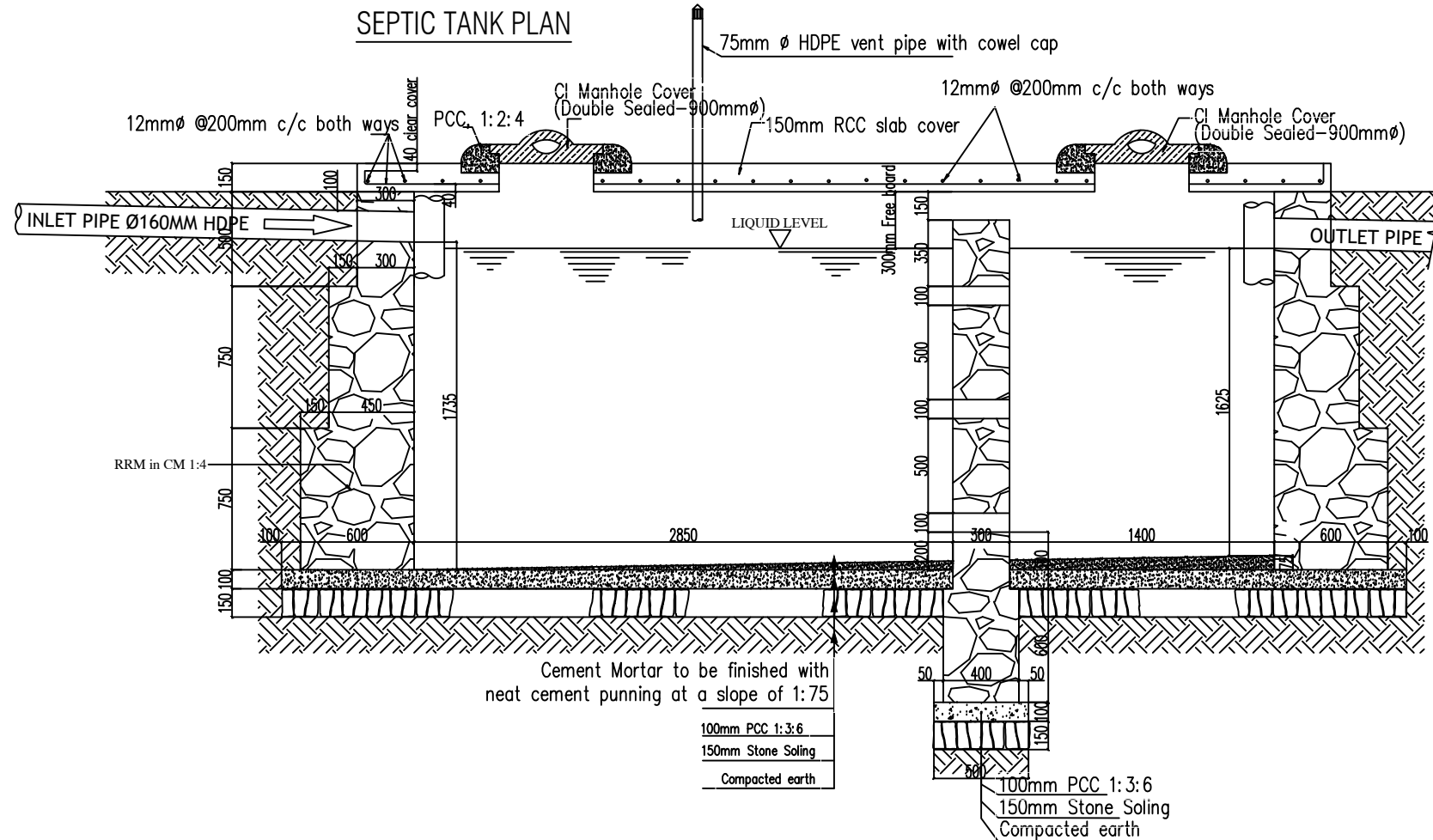
AS MENTIONED IN THE DRAWING			
REV. No.	DESCRIPTION	CHECKED	APPROVED



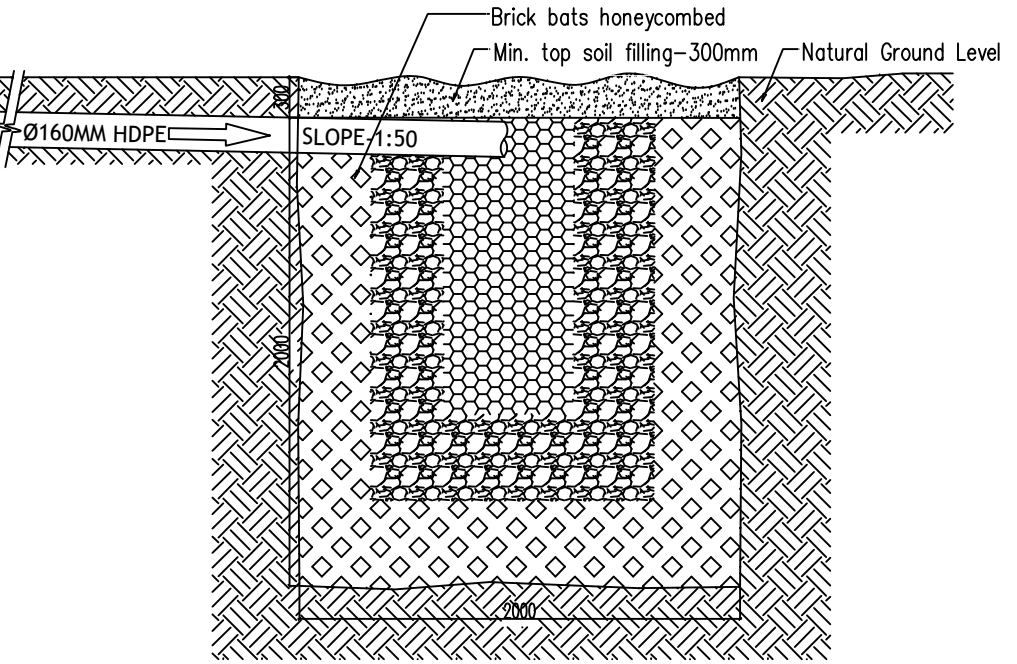
SEPTIC TANK PLAN



SOAK PIT PLAN



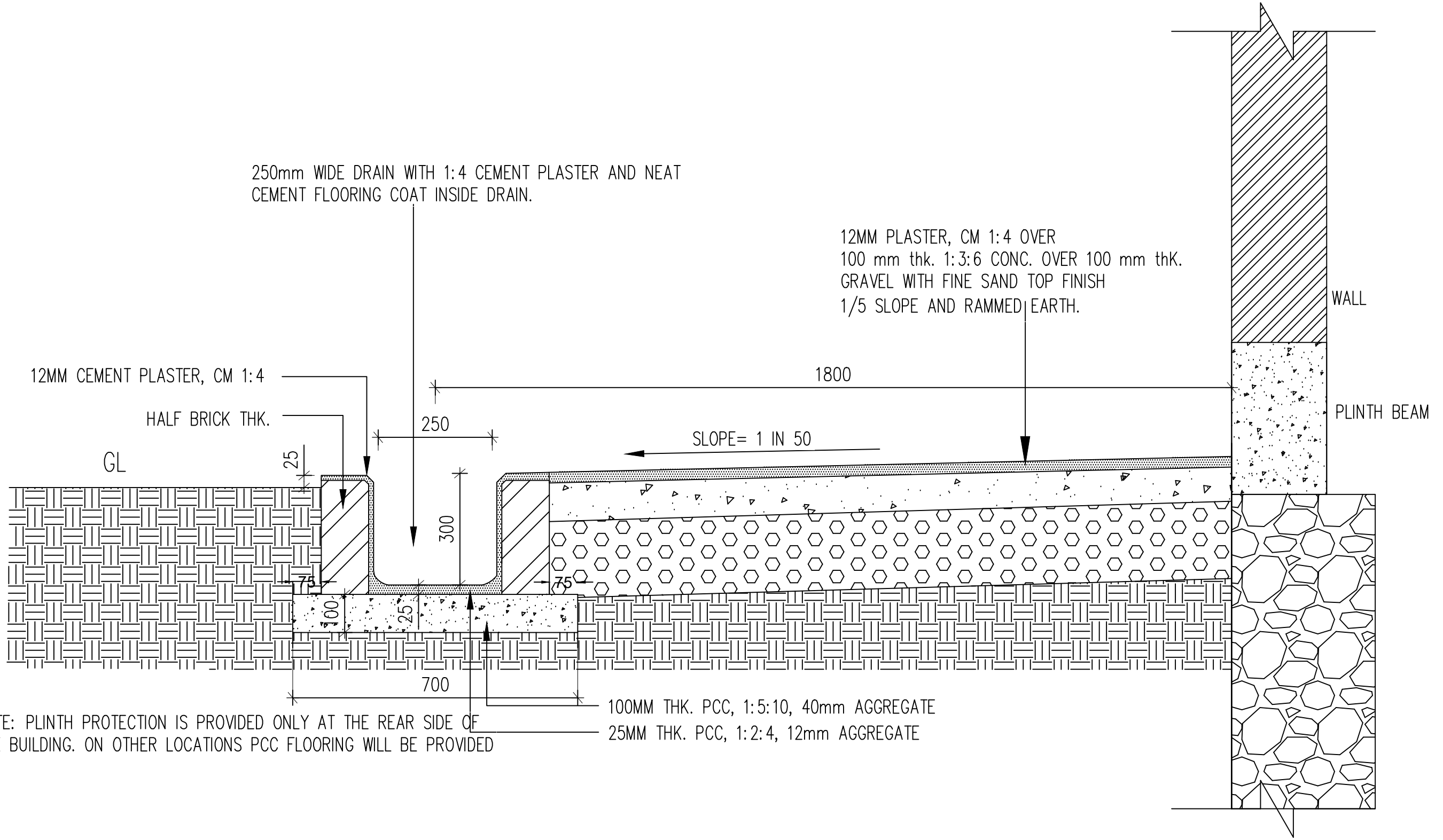
SEPTIC TANK DETAILS FOR 50 USRES



SOAK PIT

OWNER	BHUTAN POWER CORPORATION LTD TRANSMISSION CONSTRUCTION DEPARTMENT		
PROJECT	CONSTRUCTION OF 66/33kV SUBSTATION AT JAMTSHOLING, SIPS00		
TITLE	CONTROL ROOM BUILDING		
DRAWN	D.KINLEY (MPE-CIVIL)	DATE	FEBRUARY 2021
CHECKED		SCALE	NTS
APPROVED		SHEET No:	07
REV. No.	DESCRIPTION	CHECKED	APPROVED
DRG. No:	66KV SUBSTATION JAMTSHOLING/CONTROLROOM/PLUMBING/07		REV: 0

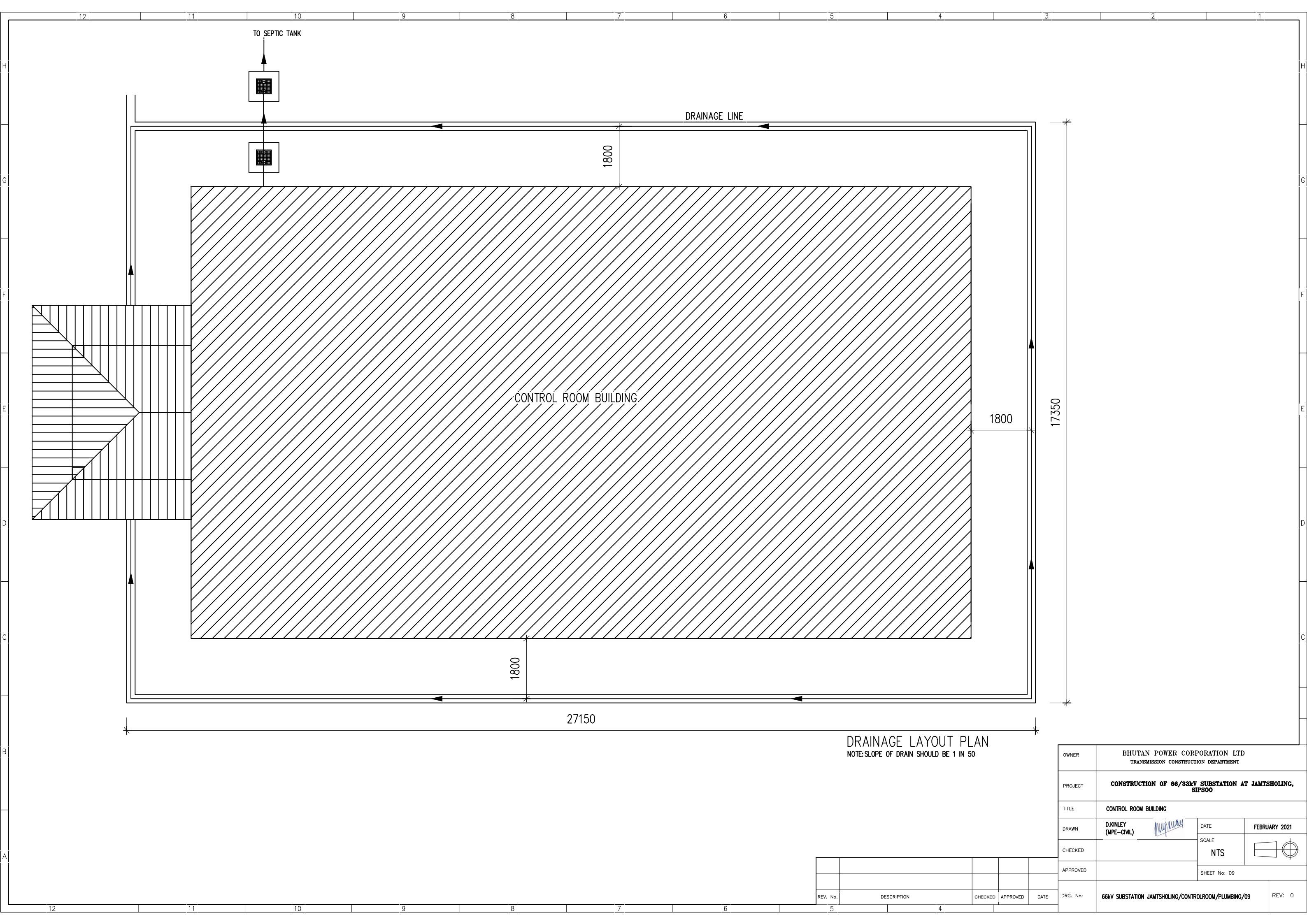
REV. No.	DESCRIPTION	CHECKED	APPROVED	DATE



NOTE: PLINTH PROTECTION IS PROVIDED ONLY AT THE REAR SIDE OF THE BUILDING. ON OTHER LOCATIONS PCC FLOORING WILL BE PROVIDED

DETAIL OF PLINTH PROTECTION

OWNER	BHUTAN POWER CORPORATION LTD TRANSMISSION CONSTRUCTION DEPARTMENT		
PROJECT	CONSTRUCTION OF 66/33kV SUBSTATION AT JAMTSHOLING, SIPSOO		
TITLE	CONTROL ROOM BUILDING		
DRAWN	D.KINLEY (MPE-CIVL)	DATE	FEBRUARY 2021
CHECKED		SCALE	NTS
APPROVED		SHEET No: 08	
REV. No.	DESCRIPTION	CHECKED	APPROVED
5	4		
DRG. No:	66KV SUBSTATION JAMTSHOLING/CONTROLROOM/PLUMBING/08		REV: 0



CONTROL ROOM BUILDING

DRAINAGE LINE

TO SEPTIC TANK

DRAINAGE LAYOUT PLAN
NOTE: SLOPE OF DRAIN SHOULD BE 1 IN 50

OWNER	BHUTAN POWER CORPORATION LTD TRANSMISSION CONSTRUCTION DEPARTMENT		
PROJECT	CONSTRUCTION OF 66/33kV SUBSTATION AT JAMTSHOLING, SIPSOO		
TITLE	CONTROL ROOM BUILDING		
DRAWN	D.KINLEY (MPE-CIVL)	DATE	FEBRUARY 2021
CHECKED		SCALE	NTS
APPROVED		SHEET No: 09	
DRG. No:	66KV SUBSTATION JAMTSHOLING/CONTROLROOM/PLUMBING/09		REV: 0

REV. No.	DESCRIPTION	CHECKED	APPROVED	DATE